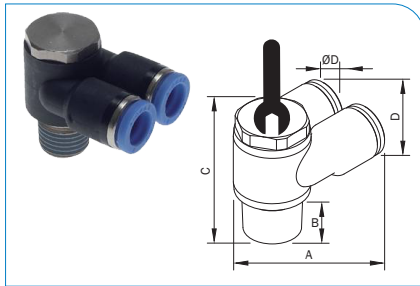


QWSPY ...

Y-Steckverschraubung, zylindrisch, mit O-Ring, Außensechskant, ☞ drehbar

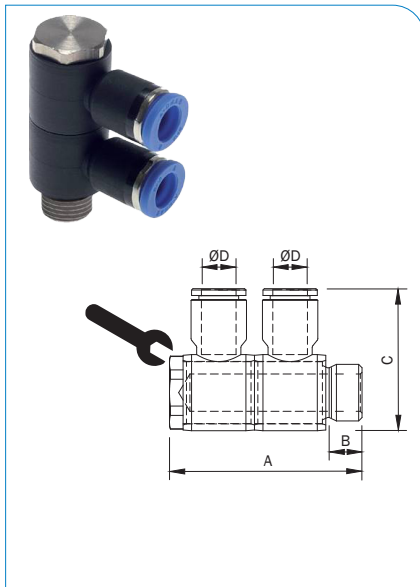
Gewinde	ØD Schlauch	A	B	C	D	☞	Artikel-Nr.
M5	4	24,0	3,0	18,0	18,0	8	200093936
G 1/8"	6	29,0	4,0	22,0	23,0	13	200093934
G 1/4"	8	38,0	5,0	27,0	28,0	16	200093933
G 3/8"	10	40,0	6,0	32,0	33,0	20	200093935
G 1/2"	12	48,0	8,0	36,0	40,0	24	200093932



QWSPYK ...

Y-Steckverschraubung, konisch, Gewinde PTFE beschichtet, Außensechskant, ☞ drehbar

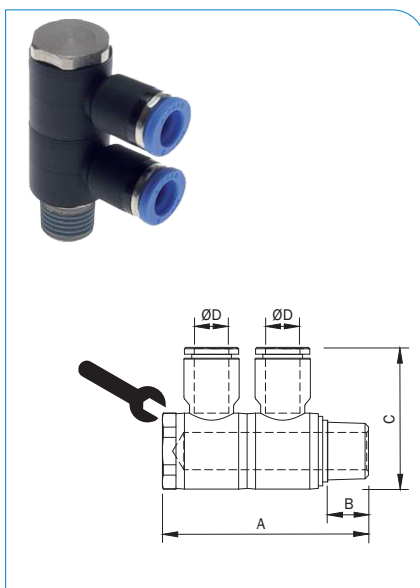
Gewinde	ØD Schlauch	A	B	C	D	☞	Artikel-Nr.
R 1/8"	6	29,0	8,0	26,0	23,0	13	200093939
R 1/4"	8	38,0	11,0	34,0	28,0	17	200093938
R 3/8"	10	41,0	12,0	40,0	33,0	21	200093940
R 3/8"	12	43,0	12,0	40,0	40,0	21	200093941
R 1/2"	12	48,0	15,0	45,0	40,0	24	200093937



QWSP2 ...

L-Steckverschraubung, 2 Abgänge, zylindrisch, mit O-Ring, Außensechskant, ☞ drehbar

Gewinde	ØD Schlauch	A	B	C	☞	Artikel-Nr.
G 1/8"	4	36,0	4,0	29,0	13	200093784
G 1/8"	6	36,0	4,0	29,0	13	200093785
G 1/8"	8	37,0	4,0	33,0	13	200093786
G 1/4"	4	45,0	5,0	34,0	16	200093781
G 1/4"	6	50,0	6,0	34,0	12	200093782
G 1/4"	8	50,0	6,0	38,0	12	200093783
G 1/4"	10	45,0	5,0	38,0	16	200093780
G 3/8"	4	53,0	6,0	37,0	20	200093789
G 3/8"	6	53,0	6,0	38,0	20	200093790
G 3/8"	8	53,0	6,0	41,0	20	200093791
G 3/8"	10	53,0	6,0	42,0	20	200093787
G 3/8"	12	53,0	6,0	47,0	20	200093788
G 1/2"	8	58,0	8,0	46,0	24	200093779
G 1/2"	10	58,0	8,0	46,0	24	200093777
G 1/2"	12	58,0	8,0	52,0	24	200093778



QWSPK2 ...

L-Steckverschraubung, 2 Abgänge, konisch, Gewinde PTFE beschichtet, Außensechskant, ☞ drehbar

Gewinde	ØD Schlauch	A	B	C	☞	Artikel-Nr.
R 1/8"	4	41,0	8,0	29,0	13	200093868
R 1/8"	6	41,0	8,0	29,0	13	200093869
R 1/8"	8	61,0	12,0	41,0	21	200093870
R 1/4"	4	52,0	11,0	34,0	17	200093865
R 1/4"	6	52,0	11,0	34,0	17	200093866
R 1/4"	8	52,0	11,0	37,0	17	200093867
R 1/4"	10	52,0	11,0	38,0	17	200093864
R 3/8"	4	61,0	12,0	37,0	21	200093873
R 3/8"	6	61,0	12,0	38,0	21	200093874
R 3/8"	8	61,0	12,0	41,0	21	200093875
R 3/8"	10	61,0	12,0	47,0	21	200093871
R 3/8"	12	61,0	12,0	41,0	21	200093872
R 1/2"	8	67,0	15,0	51,0	24	200093863
R 1/2"	10	67,0	15,0	46,0	24	200093861
R 1/2"	12	67,0	15,0	51,0	24	200093862