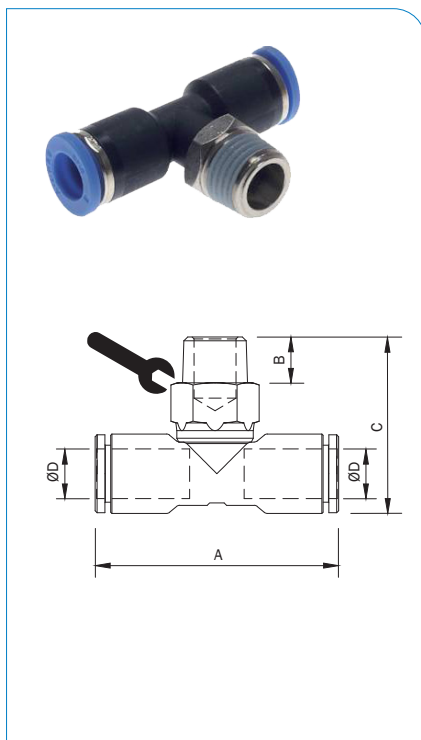


QTDP ...

T/LE-Steckverschraubung, zylindrisch, mit O-Ring, Außensechskant, ⚙️ drehbar

Gewinde	ØD Schlauch	A	B	C	⚙️	Artikel-Nr.
M5	4	32,0	4,0	22,0	9	200093557
M5	6	35,0	4,0	25,0	9	200093558
G 1/8"	4	32,0	5,0	24,0	13	200093549
G 1/8"	6	35,0	5,0	26,0	13	200093550
G 1/8"	8	43,0	5,0	31,0	13	200093551
G 1/8"	10	47,0	5,0	34,0	15	200093548
G 1/4"	4	32,0	6,0	26,0	16	200093545
G 1/4"	6	35,0	6,0	28,0	16	200093546
G 1/4"	8	41,0	6,0	33,0	16	200093547
G 1/4"	10	48,0	6,0	34,0	16	200093543
G 1/4"	12	57,0	6,0	43,0	16	200093544
G 3/8"	6	37,0	7,0	30,0	19	200093555
G 3/8"	8	42,0	7,0	35,0	19	200093556
G 3/8"	10	46,0	7,0	36,0	19	200093552
G 3/8"	12	55,0	7,0	43,0	19	200093553
G 3/8"	14	62,0	7,0	44,0	19	200093554
G 1/2"	8	44,0	8,0	36,0	23	200093542
G 1/2"	10	48,0	8,0	38,0	23	200093538
G 1/2"	12	57,0	8,0	45,0	23	200093539
G 1/2"	14	58,0	8,0	44,0	23	200093540
G 1/2"	16	61,0	8,0	48,0	23	200093541



QTDPK ...

T-Steckverschraubung, konisch, Gewinde PTFE beschichtet, Außensechskant, ⚙️ drehbar

Gewinde	ØD Schlauch	A	B	C	⚙️	Artikel-Nr.
R 1/8"	4	34,0	8,0	24,0	11	200093647
R 1/8"	6	36,0	8,0	27,0	11	200093648
R 1/8"	8	47,0	8,0	30,0	11	200093649
R 1/8"	10	50,0	5,0	32,0	15	200093646
R 1/4"	4	34,0	11,0	27,0	14	200093643
R 1/4"	6	36,0	11,0	30,0	14	200093644
R 1/4"	8	47,0	11,0	33,0	14	200093645
R 1/4"	10	50,0	11,0	37,0	18	200093641
R 1/4"	12	64,0	11,0	40,0	18	200093642
R 3/8"	6	36,0	12,0	30,0	18	200093654
R 3/8"	8	47,0	12,0	34,0	18	200093655
R 3/8"	10	50,0	12,0	36,0	18	200093650
R 3/8"	12	64,0	12,0	40,0	18	200093651
R 3/8"	14	64,0	12,0	49,0	20	200093652
R 3/8"	16	68,0	12,0	51,0	20	200093653
R 1/2"	8	47,0	15,0	38,0	21	200093640
R 1/2"	10	50,0	15,0	39,0	21	200093636
R 1/2"	12	64,0	15,0	43,0	21	200093637
R 1/2"	14	64,0	15,0	52,0	21	200093638
R 1/2"	16	68,0	15,0	54,0	21	200093639