



## QWSP ...

L-Steckverschraubung, zylindrisch, mit O-Ring, Außensechskant, ☺ drehbar

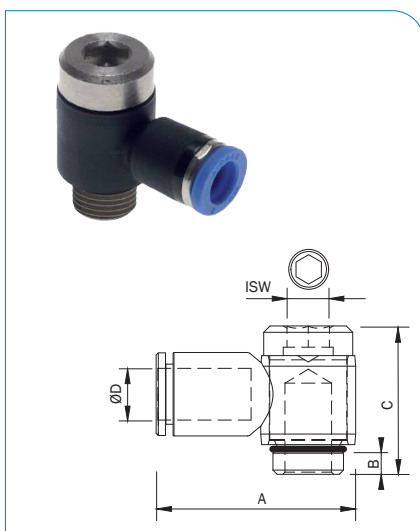
Gewinde	ØD Schlauch	A	B	C	☺	Artikel-Nr.
M5	4	24,0	3,0	18,0	8	200093775
M5	6	26,0	3,0	18,0	8	200093776
G 1/8"	4	28,0	5,0	22,0	13	200093769
G 1/8"	6	29,0	5,0	28,0	8	200093770
G 1/8"	8	33,0	5,0	28,0	8	200093771
G 1/4"	6	35,0	6,0	32,0	12	200093767
G 1/4"	8	38,0	6,0	27,0	16	200093768
G 1/4"	10	38,0	6,0	27,0	16	200093766
G 3/8"	8	41,0	7,0	32,0	20	200093774
G 3/8"	10	42,0	7,0	32,0	20	200093772
G 3/8"	12	47,0	7,0	32,0	20	200093773
G 1/2"	12	51,0	8,0	36,0	24	200093765



## QWSPK ...

L-Steckverschraubung, konisch, Gewinde PTFE beschichtet, Außensechskant, ☺ drehbar

Gewinde	ØD Schlauch	A	B	C	☺	Artikel-Nr.
R 1/8"	4	28,0	8,0	27,0	13	200093855
R 1/8"	6	30,0	8,0	27,0	13	200093856
R 1/8"	8	33,0	8,0	27,0	13	200093857
R 1/4"	6	34,0	11,0	34,0	17	200093853
R 1/4"	8	38,0	11,0	34,0	17	200093854
R 1/4"	10	38,0	11,0	34,0	17	200093851
R 1/4"	12	47,0	11,0	39,0	21	200093852
R 3/8"	8	41,0	12,0	40,0	21	200093860
R 3/8"	10	42,0	12,0	40,0	21	200093858
R 3/8"	12	47,0	12,0	40,0	21	200093859
R 1/2"	10	46,0	14,0	45,0	24	200093849
R 1/2"	12	51,0	14,0	45,0	24	200093850



## QWSPi ...

L-Steckverschraubung, zylindrisch, mit O-Ring, Innensechskant, ☺ drehbar

Gewinde	ØD Schlauch	A	B	C	ISW ☺	Artikel-Nr.
M5	4	25,0	3,0	19,0	3	200093847
M5	6	25,0	3,0	19,0	3	200093848
G 1/8"	4	28,0	4,0	26,0	6	200093841
G 1/8"	6	29,0	4,0	26,0	6	200093842
G 1/8"	8	33,0	4,0	26,0	6	200093843
G 1/4"	6	34,0	5,0	31,0	8	200093839
G 1/4"	8	38,0	5,0	31,0	8	200093840
G 1/4"	10	38,0	5,0	31,0	8	200093838
G 3/8"	8	41,0	6,0	35,0	10	200093846
G 3/8"	10	42,0	6,0	35,0	10	200093844
G 3/8"	12	47,0	6,0	35,0	10	200093845
G 1/2"	10	46,0	8,0	42,0	12	
G 1/2"	12	52,0	8,0	42,0	12	200093837