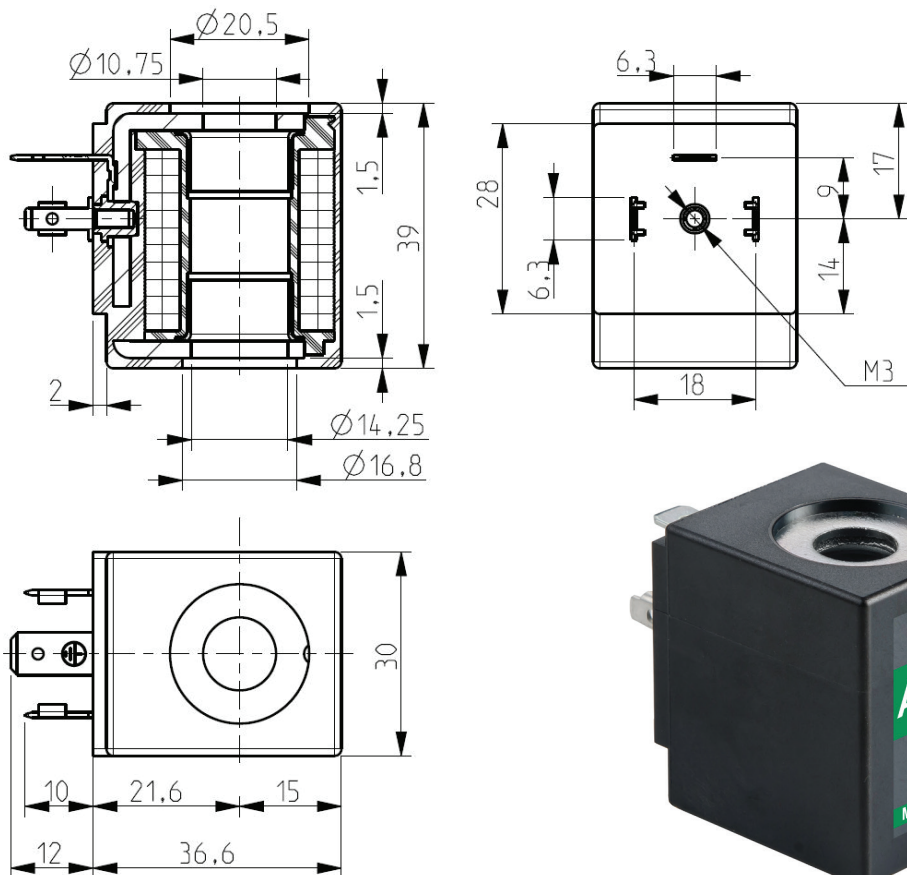


ASCO™ COIL

SPADE TERMINALS (DIN 46340)

SERIES
ZA10



General Features

Complying with 2014/35/EU (LVD) and 2014/30/EU (EMC) directives.

Product in accordance with the RoHS 2 directive.
100% inspected.

Electric Connections

Spade terminals 6,3 x 0,8 (DIN 46340), 2 line + 1 earth terminals.
3 poles plug connector (EN175301-803).

Encapsulation Materials

PPS (Polyphenilsulfure) fiberglass reinforces

Technical Features

Approval	"UL Recognized" (class F)	
Continuous Duty	ED 100%	
Insulation class	F (155°C) – H (180°C)	
Ambient temperature	Class F: -10°C +50°C Class H: -10°C +80°C	
Protection degree	IP 67 (EN 60529) with plug connector	
Voltages	DC	12-24V (+10% -5%)
	AC	24V/50Hz - 115V/50Hz - 230V/50 (+10% -15%)
For the complete voltage list, see overleaf		

Type	Class/voltage Code	Power absorption			Notes	Weight (kg)
		AC (VA)		DC (W)		
Basic code		Inrush	Holding			
ZA10A	** See overleaf	23	14	9	1-2	0,130
ZA10B		-	-	10		
ZA10G		-	-	12		

Notes

- 1 – IMQ/CSV approval (valid only if associated with the certified valves; for more information, see overleaf)
- 2 – UL class F - approval (N°E153691)



**SERIES
ZA10**

ASCO™ COIL
SPADE TERMINALS (DIN 46340)

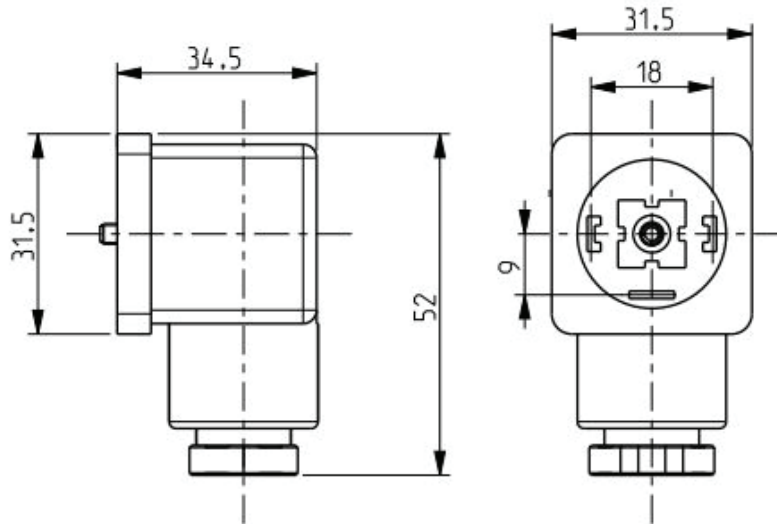
Codification Table

		** IMQ – CSV and UL class F certified voltage codes																			
		12V/50Hz		24V/50Hz		110V/50Hz 120V/60Hz		115V/50Hz		220V/50Hz 240V/60Hz		230V/50Hz		240V/50Hz		12V DC		24V DC		207V DC	
CODE	CLASS	F	H	F	H	F	H	F	H	F	H	F	H	F	H	F	H	F	H	F	H
ZA10A		EG	JG	FL	HL	F0	H0	FT	HT	F6	H6	F8	H8	FP	HP	F3	H3	F1	H1	-	-
ZA10B		-	-	-	-	-	-	-	-	-	-	-	-	-	-	F3	H3	F1	H1	-	-
ZA10G		-	-	-	-	-	-	-	-	-	-	-	-	-	-	F3	H3	F1	H1	EE	JE

IMQ certified valve bodies (L113 – L120 – L121 – L122 – L123 – L127 – L128 – L133 – L134 – L140 – L182 – L191 – L208
L256 – L257 – L282 – L320 – L321 – L323 – L334 – L621 – L893 – L898 – L957 – L962 – L993 – D105 – D136 – D644 – D605)

the complete coil code is composed of the basic code plus the class/voltage code (e.g. **ZA10AF8 = ZA10A coil – Class F – 230V/50Hz)

Accessories



Description	Code
IP67 connector, EN175301-803 style A (ex DIN 43650-A), ISO 4400	512468-001

THE VALIDITY OF REPORTED DATA IS REFERRED TO THE DATE OF ISSUE. POSSIBLE UPDATES ARE AVAILABLE ON REQUEST