

**DESCRIPTION**

Solenoid valve 2 way normally open with servo-assisted diaphragm

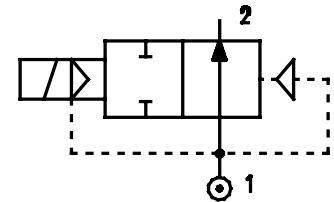
**CONSTRUCTION**

Body and cover	Brass
Armature tube	AISI 303
Plunger and core	AISI 430FR
Springs	AISI 302
Seal material	NBR - FPM - EPDM



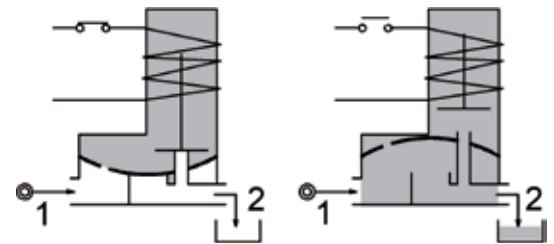
**FEATURES**

- Minimum differential pressure 0.15bar
- Maximum allowable pressure PS 25bar<sup>④</sup>
- Maximum fluid viscosity 25cSt (mm<sup>2</sup>/s)
- Ambient temperature: from -10°C to +80°C according to the coil
- Preferred mounting position with vertical coil above



**4**

- OPTIONS:** Electroless nickel plating  
 Series 7 explosion proof coil according to ATEX - EExmII  
 us certified coils



**ON REQUEST:** Manual override

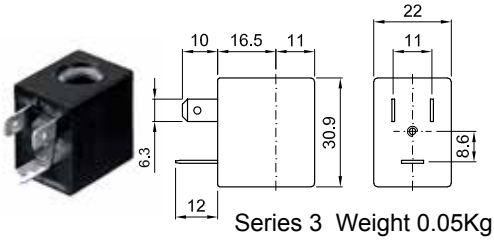
CODE ① ②	Connection G ISO 228	Orifice mm	Kv m <sup>3</sup> /h	Differential pressure bar			Nominal power			Coil		Seal ①	Temp. range °C
				Min	Max		AC Inrush	VA Holding	DC Watt	Series	Width		
E207B...10///...	1/4"	10	1.5	0.15	15	15	12	8	6.5	3	22	NBR=B EPDM=E FPM=V	-10 +90 -10 +140 -10 +140
E207C...10///...	3/8"	10	1.7	0.15	15	15							
E207C...12///...	3/8"	12	2.2	0.15	15	15							
E207D...12///...	1/2"	12	2.5	0.15	15	15							
E207E...18///...	3/4"	18	5.5	0.15	13	13							
E207F...25///...	1"	25	10.2	0.15	10	10							
E207G...30///...	1" 1/4	30	15	0.15	10	10							
③E207C...12/W/...	3/8"	12	2.2	0.5	15	15	12	8	6.5	3	22	NBR=B	-10 +90
③E207D...12/W/...	1/2"	12	2.5	0.5	15	15							

- ① Seal
  - ② Coil
  - ③ Reinforced diaphragm
  - ④ The maximum allowable pressure PS for steam 2,5bar (gauge pressure)
- Example: E207DB12///301 NBR seal  
Coil 24V DC

COILS ②	Alternating Current 50/60Hz (V)							Direct Current (V)			Electrical connection	Connectors
	12	24	48	110	220 230	240	380	12	24	48		
Series 3 Width 22	30A	30B	30C	30D	30E	30F	30G	300	301	302	DIN 46244	PG9 code 10348000

**DESCRIPTION**  
 Class F insulation  
 Voltage tolerance  
 AC +15% -10%  
 DC ± 10%  
 Protection class  
 IP65 with connector fitted  
 IP00 without connector  
 Continuous service ED100%

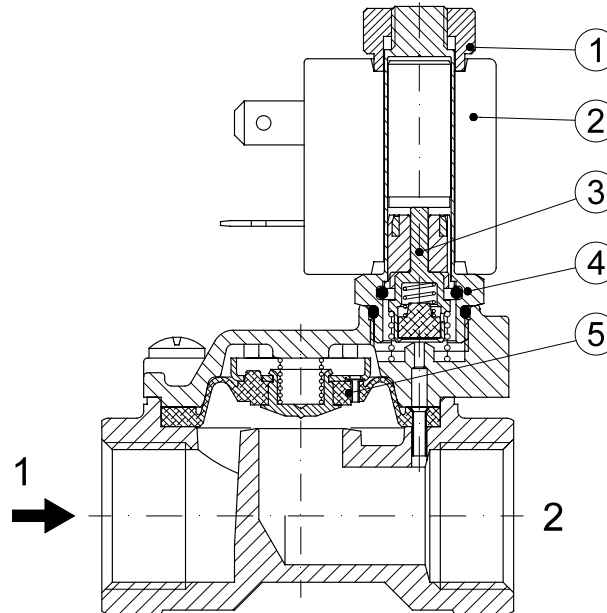
**OPTIONS**  
 Class H insulation  
 Cable attached  
 Special coil voltage  
 Special coil powers  
 CE us certified coils



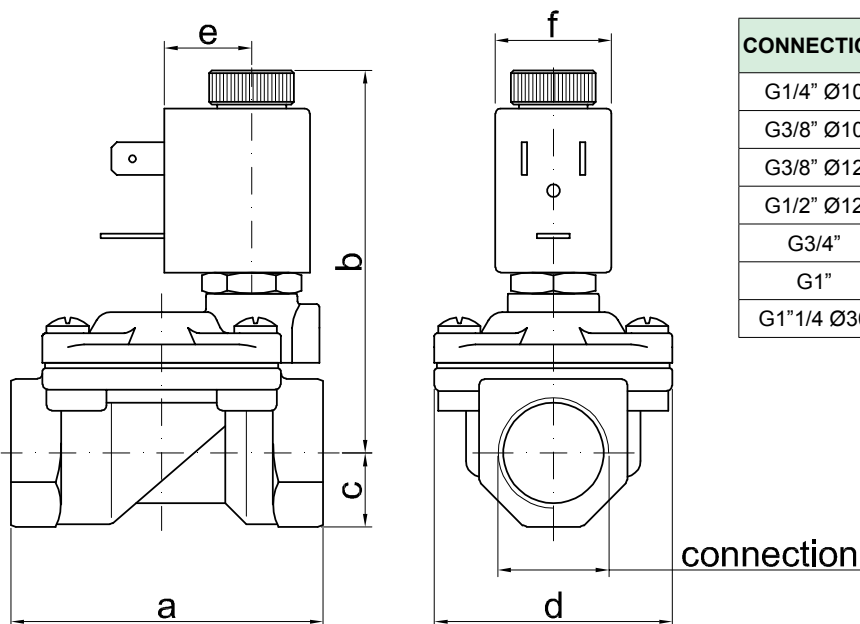
(for coil details see section 8)

### SPARE PARTS LIST

1. Coil fixing nut
2. Coil
3. Seal assembly
4. Armature tube with core
5. Diaphragm assembly



### OVERALL DIMENSION



CONNECTION	a	b	c	d	e	f	weight Kg
G1/4" Ø10	49	65	11	32	16	22	0.23
G3/8" Ø10	49	65	11	32	16	22	0.24
G3/8" Ø12	59	73	14	45	16	22	0.42
G1/2" Ø12	59	73	14	45	16	22	0.39
G3/4"	79	76	18	55	16	22	0.65
G1"	96	85	20	72	16	22	1.05
G1"1/4 Ø30	119	96	25	85	16	22	1.70

**DESCRIPTION**

Solenoid valve 2 way normally open with servo-assisted diaphragm

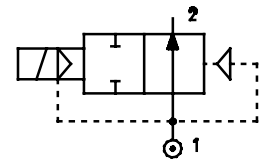
**CONSTRUCTION**

Body and cover	Brass
Armature tube	Brass
Plunger and core	AISI 430FR
Springs	AISI 302
Seal material	NBR - FPM - EPDM



**FEATURES**

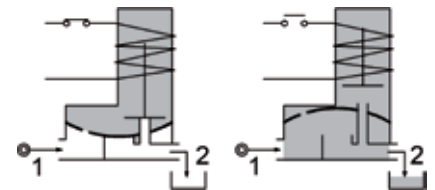
- Minimum differential pressure 0.15÷3bar
- Maximum allowable pressure PS 20bar<sup>④</sup>
- Maximum fluid viscosity 25cSt (mm<sup>2</sup>/s)
- Ambient temperature: from -10°C to +80°C according to the coil
- Preferred mounting position with vertical coil above



**4**

**OPTIONS:** Electroless nickel plating  
 us certified coils

**ON REQUEST:** Manual override



CODE ① ②	Connection G ISO 228	Orifice mm	Kv m <sup>3</sup> /h	Differential pressure bar			Nominal power			Coil		Seal ①	Temp. range °C
				Min	Max		AC Inrush	VA Holding	DC Watt	Series	Width		
					AC	DC							
E207G...37///...	1"1/4	37	18	0.15	10	10	20	15	10	2	30	NBR=B EPDM=E FPM=V	-10 +90 -10 +140 -10 +140
E207H...37///...	1"1/2	37	21	0.15	10	10							
E207I...50///...	2"	50	36	0.15	10	10							

- ① Seal Example: E207HB37///201 NBR seal
- ② Coil Coil 24V DC
- ③ Reinforced diaphragm

**④ REMARK**

The maximum allowable pressure PS for steam 2,5bar (gauge pressure)

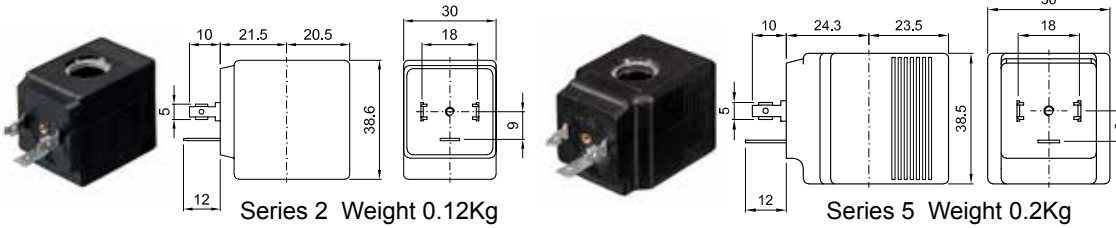
**G2"1/2 e G3" SOLENOID VALVES**

For applications with fluids listed in chapter 3 / group 1 of the PED Directive 2014/68 / EU (potentially hazardous or explosive fluids / mixtures) consider a PS value reduced to 15 bar max.

COILS ②	Alternating Current 50/60Hz (V)							Direct Current (V)			Electrical connection	Connectors
	12	24	48	110	220 230	240	380	12	24	48		
Series 2 Width 30	20A	20B	20C	20D	20E	20F	20G	200	201	202	DIN 43650A	PG9 code 10349000
Series 5 Width 36	52A	52B	52C	52D	52E	52F	52G	520	521	522	DIN 43650A	PG11 code 10349001

**DESCRIPTION**  
 Insulation class  
 Series 2 =F Series 5=H  
 Voltage tolerance  
 AC +15% -10%  
 DC ± 10%  
 Protection class  
 IP65 with connector fitted  
 IP00 without connector

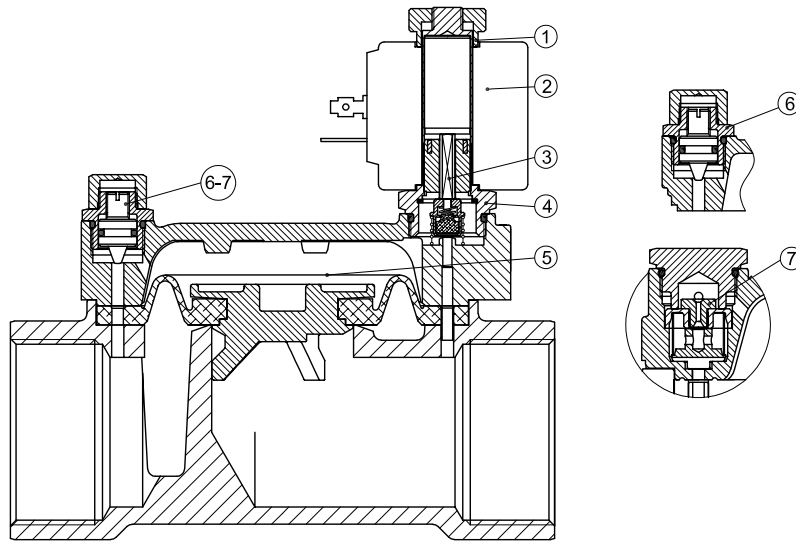
**OPTIONS**  
 Class H insulation (series 2)  
 Cable attached  
 Special coil voltage  
 Special coil powers  
 c US certified coils



(for coil details see section 8)

### SPARE PARTS LIST

1. Coil fixing nut
2. Coil
3. Seal assembly
4. Armature tube with core
5. Diaphragm assembly
6. Speed control valve
7. Water hammering reducer  
 $\varnothing 0.8$ - $\varnothing 1.2$ - $\varnothing 1.5$  (G2"1/2-3")



### OVERALL DIMENSION

